

Raindance E
Overhead shower 300 1jet with shower arm
 Finish: **Chrome** Article Number: **26238000**



Description

product features

- consists of: overhead shower, shower arm
- shower head size: 300 x 300 mm
- spray type: RainAir
- flow rate RainAir spray at 3 bar: 17 l/min
- function from: 12,5 l/min
- maximum flow rate at 3 bar: 17 l/min
- minimum flow pressure: 1,6 bar
- overhead shower angle adjustable
- material spray disc: metal
- spray disc removable for cleaning
- shower arm length: 390 mm
- installation: wall
- connection thread: G 1/2
- connection dimension: DN15
- suitable for continuous flow water heaters

Technology



Design awards



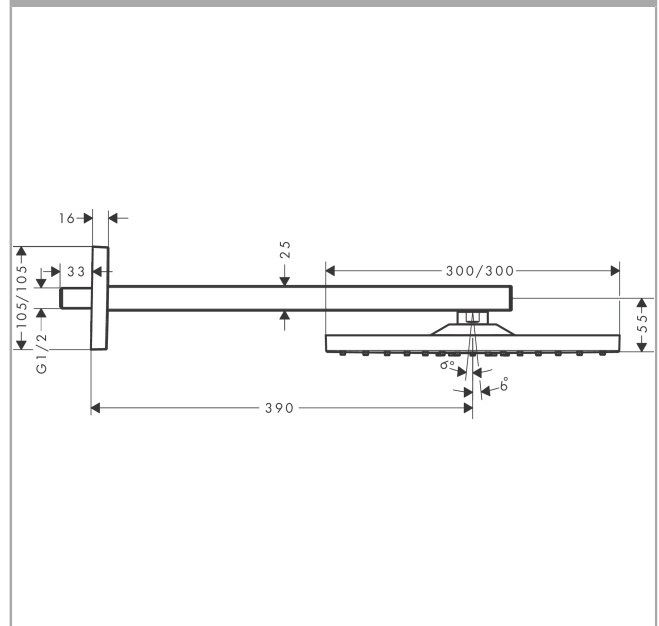
Certificates / Sustainability



Product image



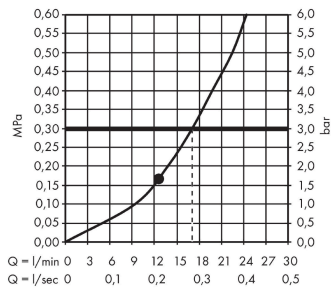
Scale drawing



Raindance E
Overhead shower 300 1jet with shower arm
 Finish: **Chrome** Article Number: **26238000**



Flowchart



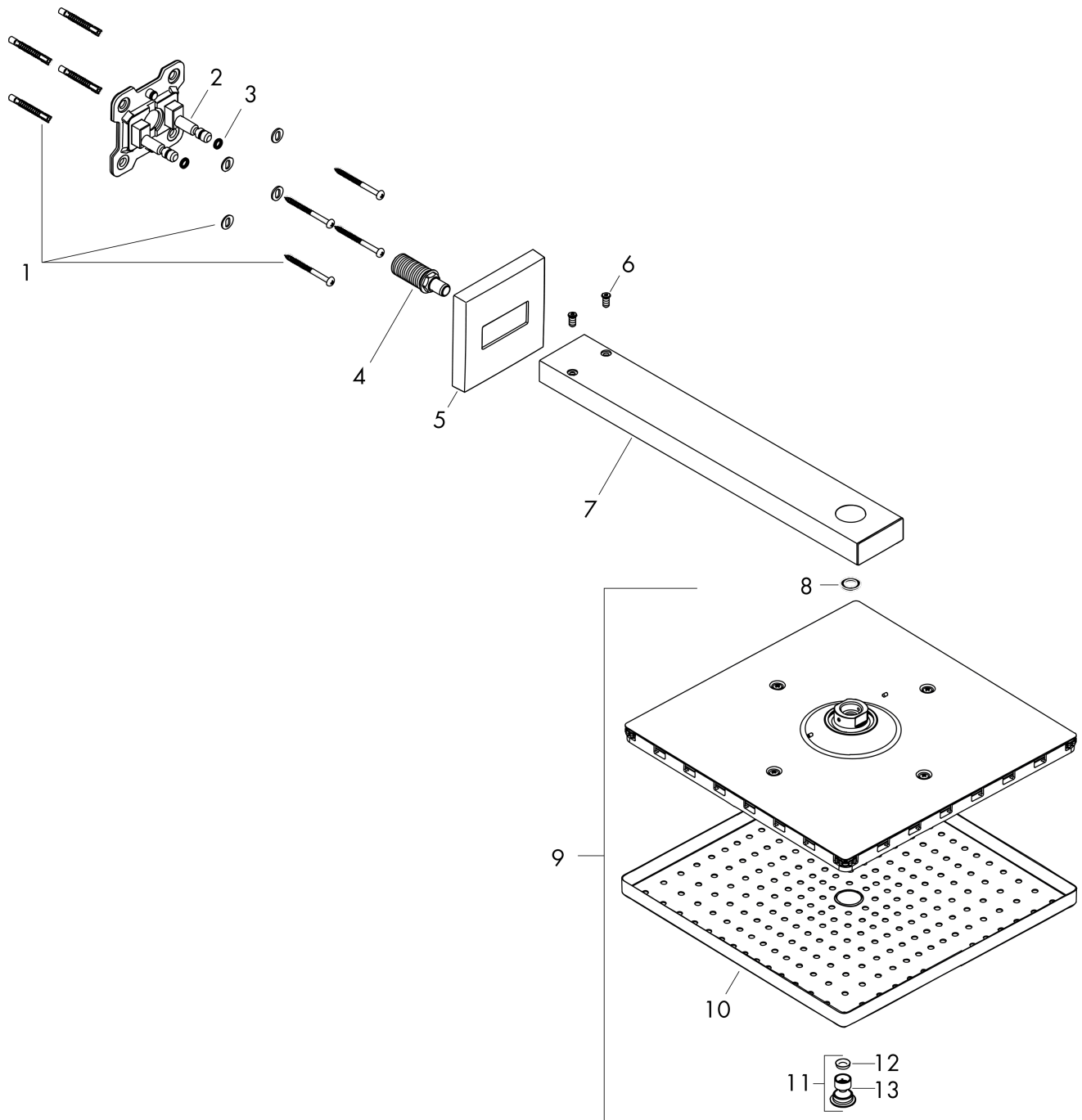
The consumption was measured in combination with the appropriate fittings (thermostat/mixer/in-wall valve) to reflect actual application in practice.

Raindance E
Overhead shower 300 1jet with shower arm
 Finish: **Chrome** Article Number: **26238000**



Exploded Drawing

Year of production: >06/17



Raindance E
Overhead shower 300 1jet with shower arm
 Finish: **Chrome** Article Number: **26238000**



Spare part list

Year of production: >06/17

Pos.	Description	Article Number	PC	PU
1	mounting set	96179000	4	1
2	wall flange	93441000	11	1
3	O-ring 6x2	98458000	1	1
4	connecting thread	93416000	10	1
5	escutcheon	93126000	9	1
6	screw	93431000	3	1
7	shower arm	93221000	18	1
8	seal	98058000	1	1
9	head shower	93230000	21	1
10	spray body	94580000	16	1
11	air jet	93127000	8	1
12	filter	93128000	3	1
13	O-ring 15x2	98163000	1	1